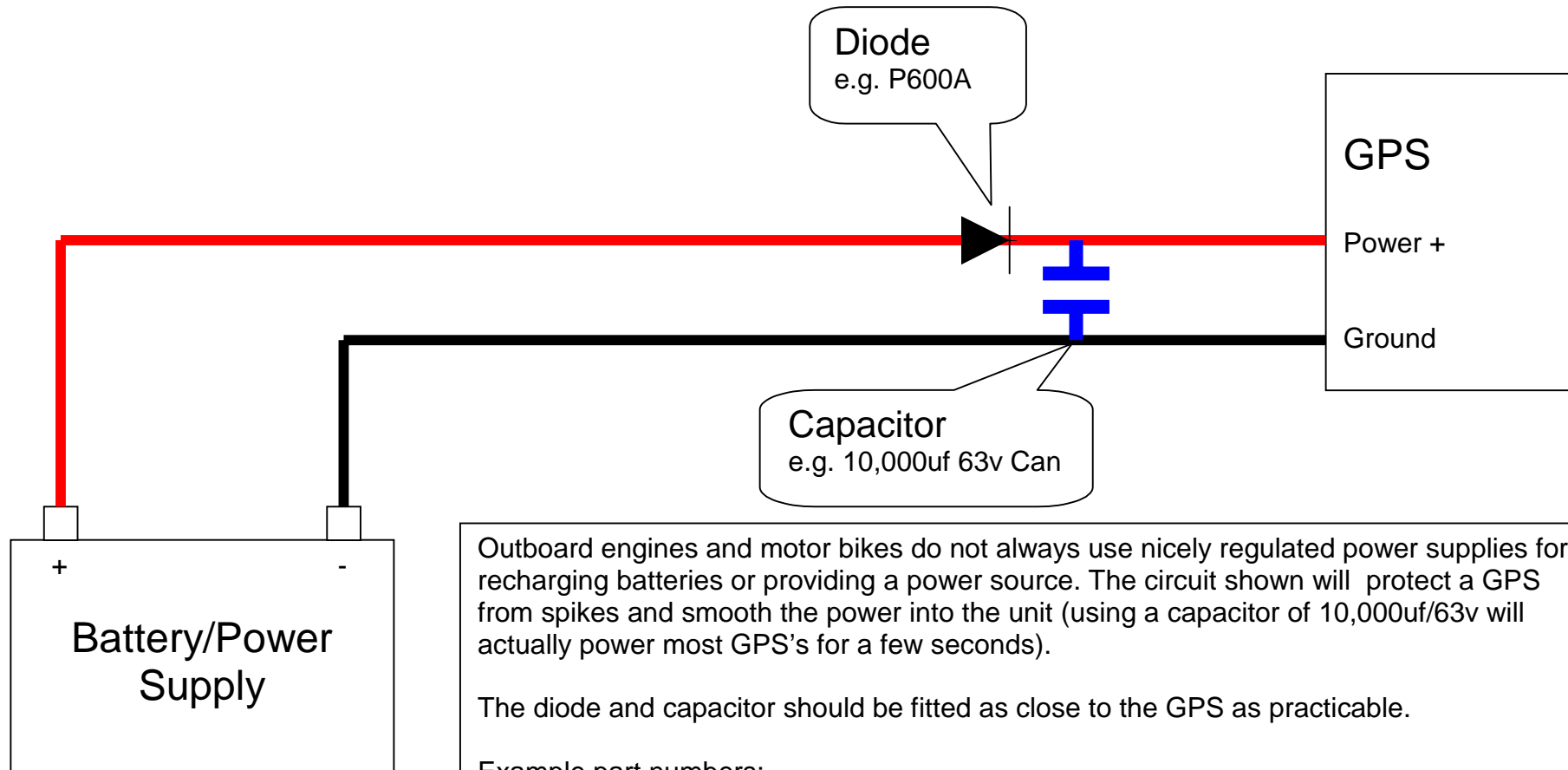


Protecting a GPS from Voltage Spikes



Outboard engines and motor bikes do not always use nicely regulated power supplies for recharging batteries or providing a power source. The circuit shown will protect a GPS from spikes and smooth the power into the unit (using a capacitor of 10,000uf/63v will actually power most GPS's for a few seconds).

The diode and capacitor should be fitted as close to the GPS as practicable.

Example part numbers:

Maplin Electronics

LE04e

UK59p

<http://www.maplins.co.uk>

Low profile Can solder tagged Electrolytic Capacitor

P600A 50v Rectifier Diode

RS Components

157-3290

183-4444

<http://www.rs-components.com>

Long life Screw Terminal ALS30

P600B 100v rectifier diode

Or equivalent...